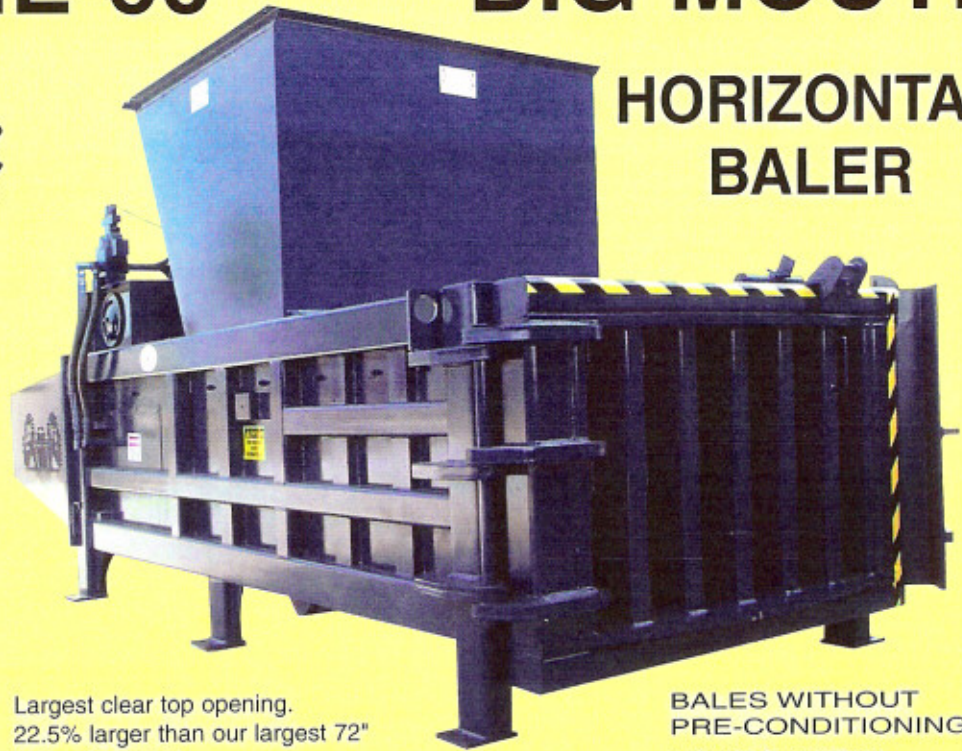


our service alone could make you our customer

HE-60

“BIG MOUTH”

HORIZONTAL BALER



Largest clear top opening.
22.5% larger than our largest 72"
horizontal baler.
Bales newsprint, office paper,
computer paper, etc. with no fluffing
required.

BALES WITHOUT
PRE-CONDITIONING
LOWER INITIAL
INVESTMENT
IDEAL FOR THE LOW TO
MEDIUM VOLUME USER

Gives maximum flexibility to bale
multiple materials and keep them
separated.



*Parts and Labor are Warranted for One Year
against materials and workmanship under normal usage.*

J.V. MANUFACTURING, INC.

Balers • Compactors • Containers • Transfer Stations

Corporate

701 Butterfield Coach Road P.O. Box 229 Springdale, AR 72765
1-800-678-7320 fax 501-751-7774 www.cram-a-lot.com

Cram-A-Lot® West

1501 Weyand Ave. Sacramento, CA 95828
1-888-431-3094 916-381-1600 fax 916-381-2248

DISTRIBUTED BY:

“Equipping The World For A Better Environment”

CRAM-A-LOT®

J.V. Manufacturing, Inc.

Solid Waste & Recycling Equipment





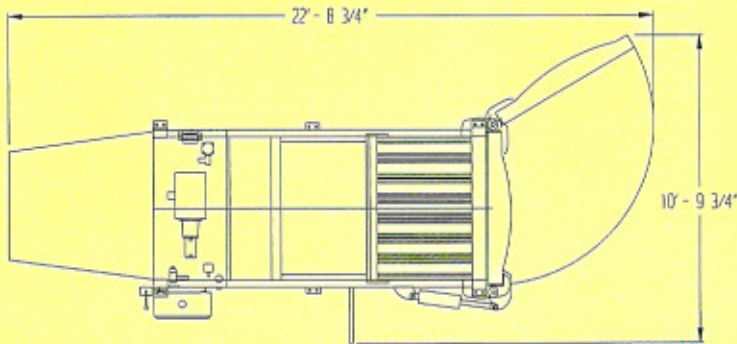
CRAM-A-LOT® "BIG MOUTH" HE-60

HORIZONTAL BALER FEATURES:

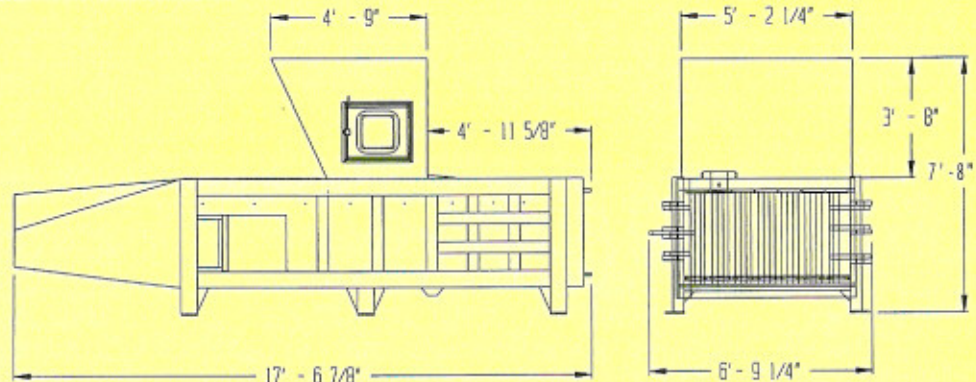
- WIRE-GUIDED TIE SYSTEM Speeds and simplifies bale tying
- ADVANCED SHEAR SYSTEM Greatly increases the baler's shearing capabilities
- HEAVY DUTY CHAMBER DOOR DESIGN Superior door strength and ease in bale tying
- SPRING LOADED PAPER RETAINERS Holds material in the bale chamber and speeds up baling time
- AUTOMATIC BALE EJECTION Bale is removed from the chamber hydraulically
- PENETRATION TO WITHIN 3" OF DOOR Full penetration gives more uniform bale density
- AUTOMATIC CYCLE CONTROL (STANDARD) A pair of high gain photo-cells allow more accurate control
- CONVEYOR CONTROL (STANDARD) Gives the customer seamless integration with conveyors
- HYDRAULIC LATCHING (STANDARD) Makes opening the chamber door safe. Guarantees the platen has released pressure from the bale before the door is opened
- 100% FULL INDICATOR (STANDARD) Notifies user when bale is ready to be tied off
- CLEAR CHAMBER TO START EACH BALE Gives maximum flexibility to bale multiple materials and keep them separated. Helps to provide uniform bales

SPECIFICATIONS

FEED OPENING	60"x36"	PLATEN	Normal	67.0 psi
PENETRATION	FULL		Maximum	78.2 psi
BALE SIZE	60"x30"x48"	CYCLE TIME	48 seconds (no load)	
BALE WEIGHT	Corrugated	MOTOR	20 hp	
	High Grade	PUMP	38 gpm (Hi-Lo)	
	News Print	CYLINDERS	8" Bore x 84" Stroke x 5" Rod	
	P.E.T.	RESERVOIR	107 gallon remote	
	H.D.P.E.	ENCLOSURE	UL & CUL Listed, NEMA-12	
OPERATING PRESSURE	Normal	CONTROLS	UL & CUL Listed	
	Maximum	WEIGHT	HE-60 with power unit 15,200 lb.	
PLATEN FORCE	Normal		HE-60 with hopper, power unit & Conveyor 17,600 lb.	
	Maximum			



***our service alone
could make you
our customer***



In order to provide the most currently engineered and designed equipment, we reserve the right to change specifications without prior notice. This brochure is intended to provide information only and should not be used in an arbitrary manner to judge equipment for any particular purpose. Performance may vary with application. Products must be installed and operated according to required standards, codes, regulations and safety procedures. Only the standard written warranty issued by J.V. Manufacturing, Inc. applies.

Manufacturing a full line of CRAM-A-LOT® Solid Waste Equipment